

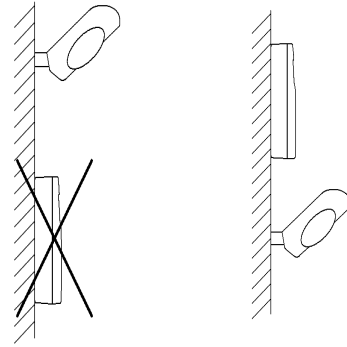
1



**WARNING**

- 1) Switch off the power supply before installation
- 2) Installation should be done by registered electricians

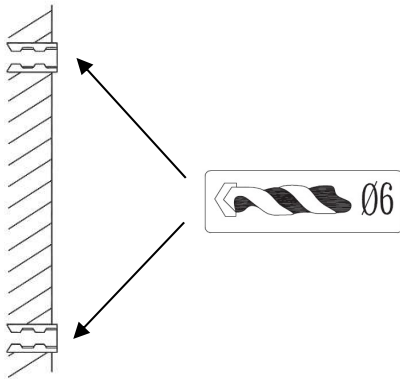
2



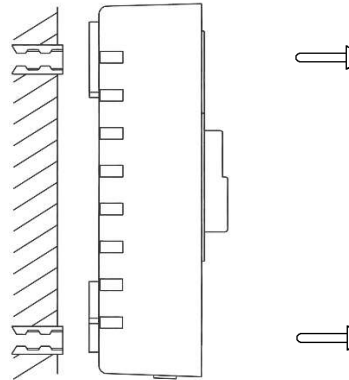
INCORRECT

CORRECT

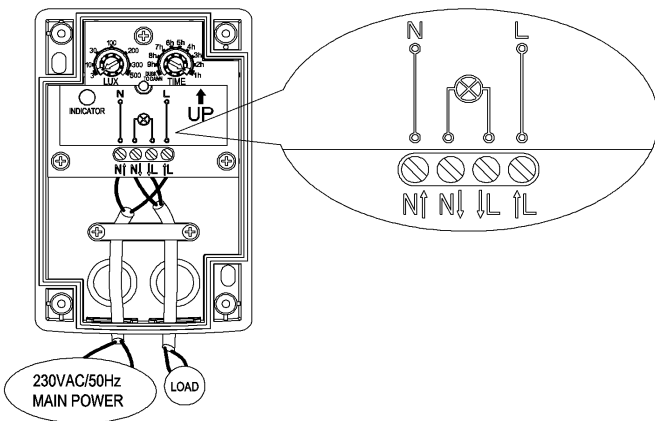
3



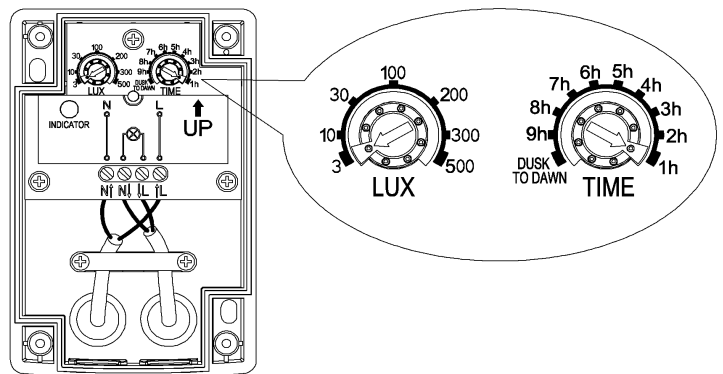
4



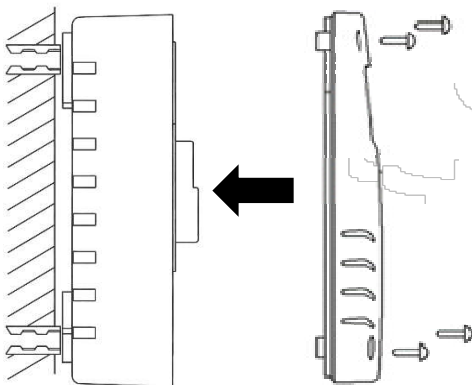
5



6



7



8

