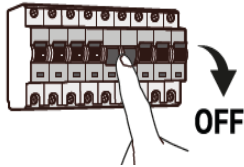


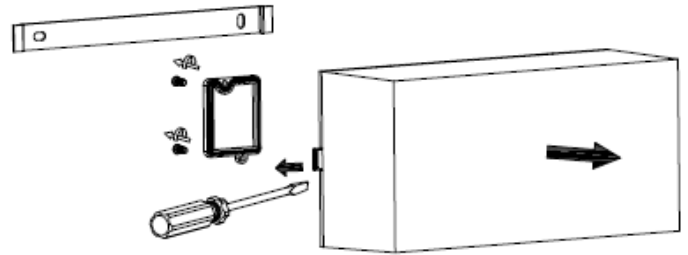
1



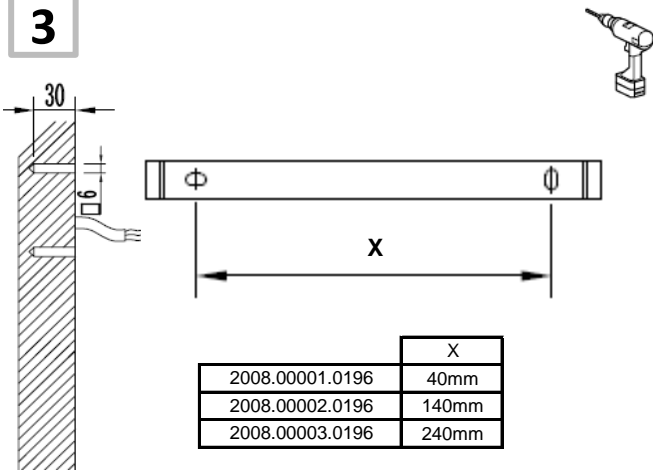
**WARNING**

- 1) Switch off the power supply before installation
- 2) Installation should be done by registered electricians

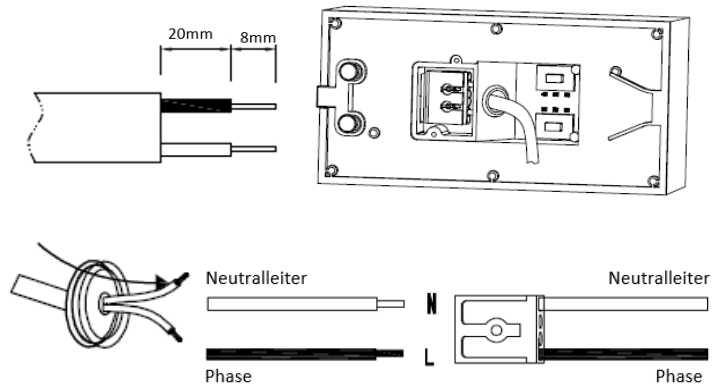
2



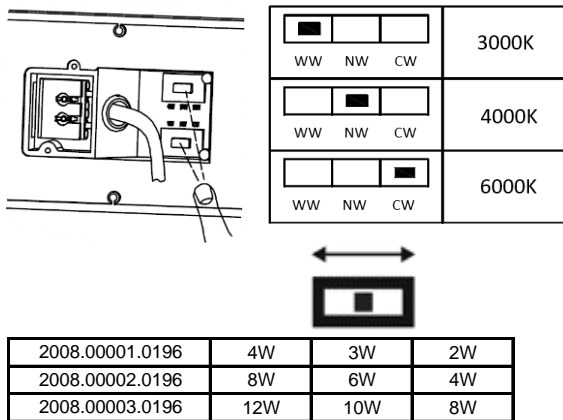
3



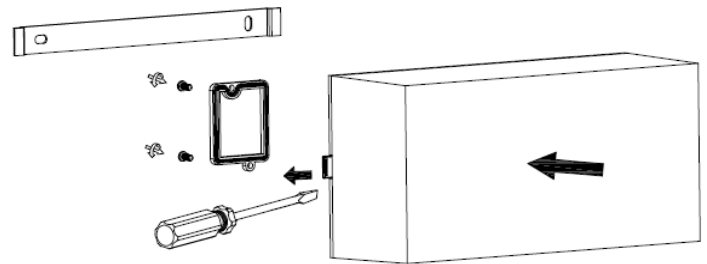
4



5



6



7

