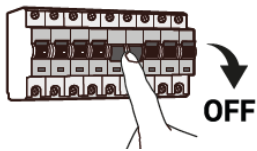


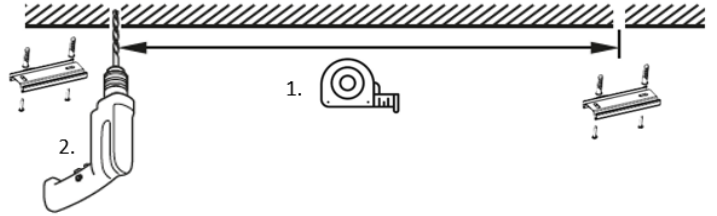
1



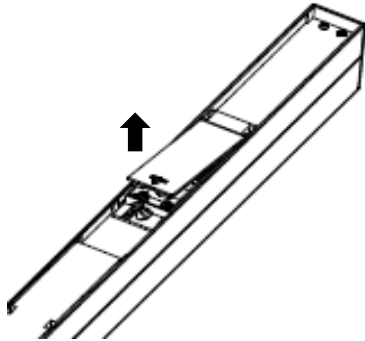
WARNING

- 1) Switch off the power supply before installation
- 2) Installation should be done by registered electricians

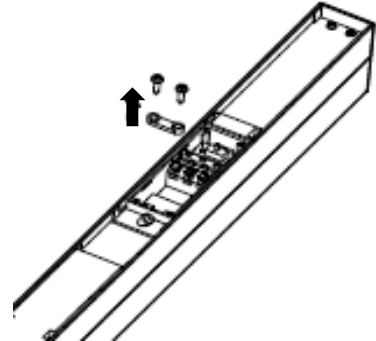
2



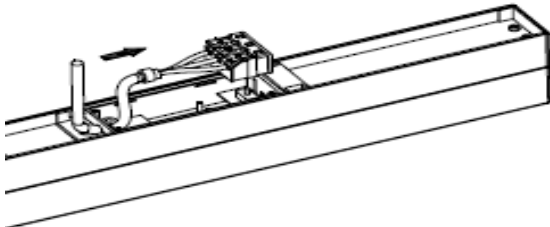
3



4



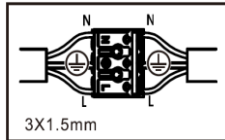
5



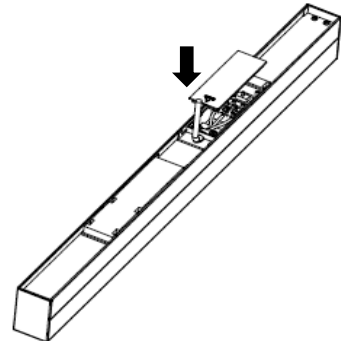
Einstellung Lichtfarbe:



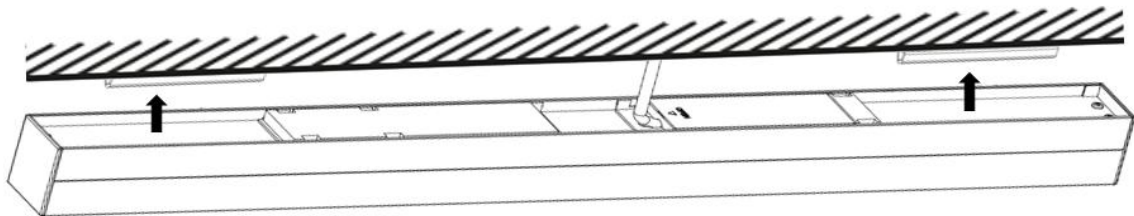
- WW ... 3000K
- NW ... 4000K
- CW ... 6000K



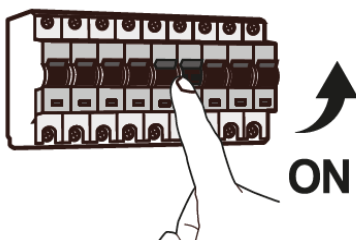
6



7



8



ENERGY

e2 elektro
2020001201396-L

A	
B	
C	
D	D
E	
F	
G	

12
kWh/1000h

2019/2015