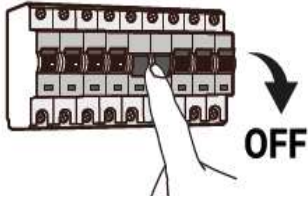


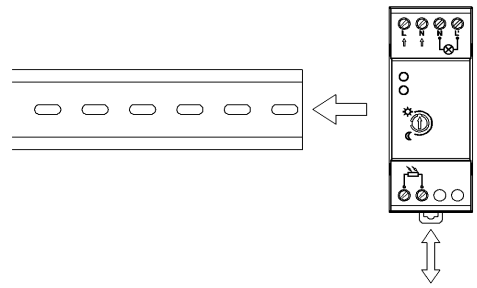
1



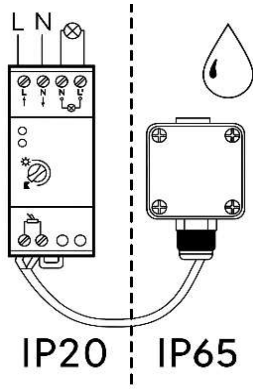
WARNING

- 1) Switch off the power supply before installation
- 2) Installation should be done by registered electricians

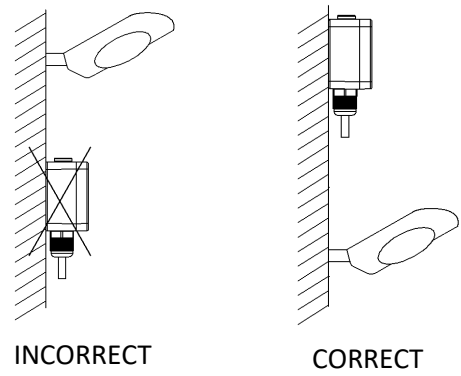
2



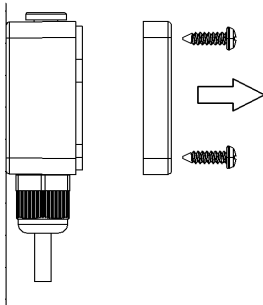
3



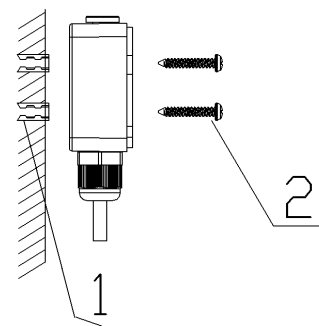
4



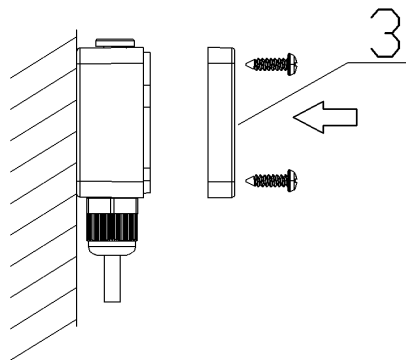
5



6



7



8

