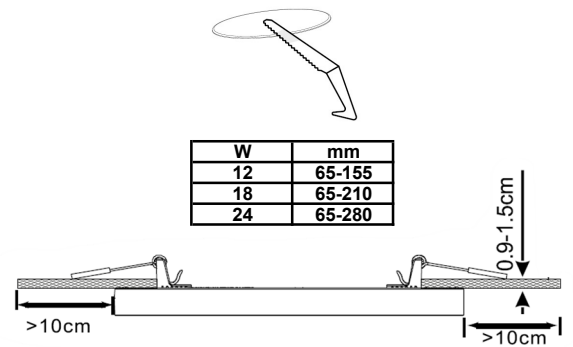


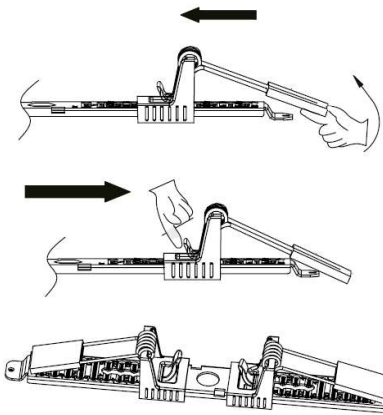
WARNING

- 1) Switch off the power supply before installation
- 2) Installation should be done by registered electricians

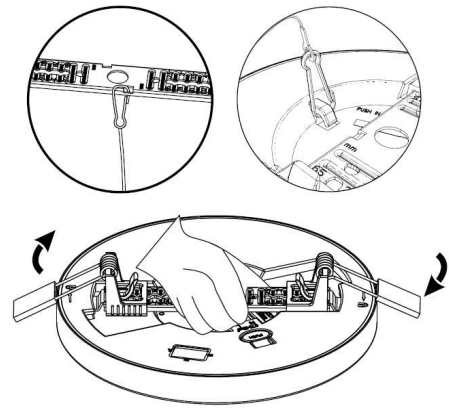
1



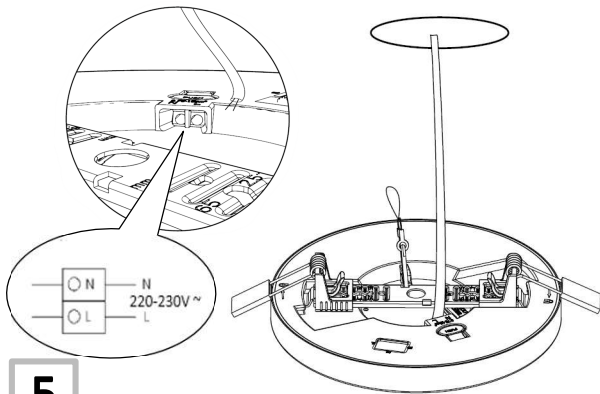
2



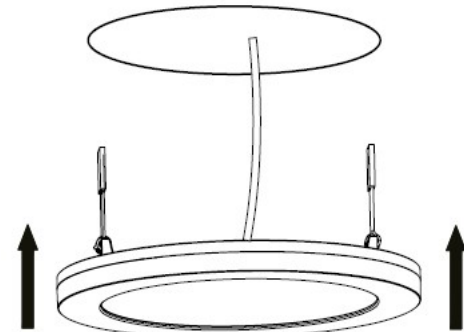
3



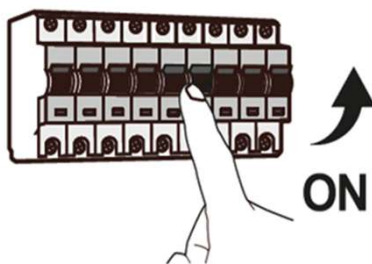
4



5



6



7

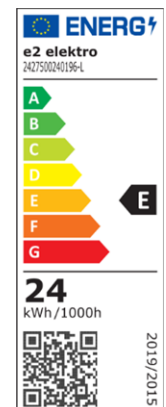
2427500120196

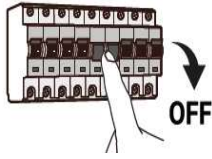


2427500180196



2427500240196

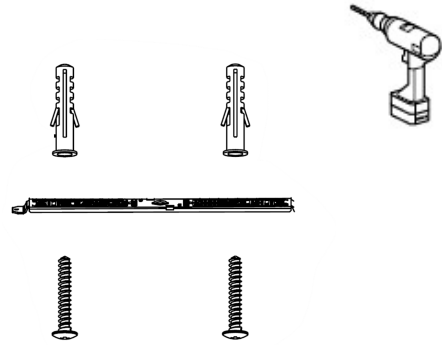




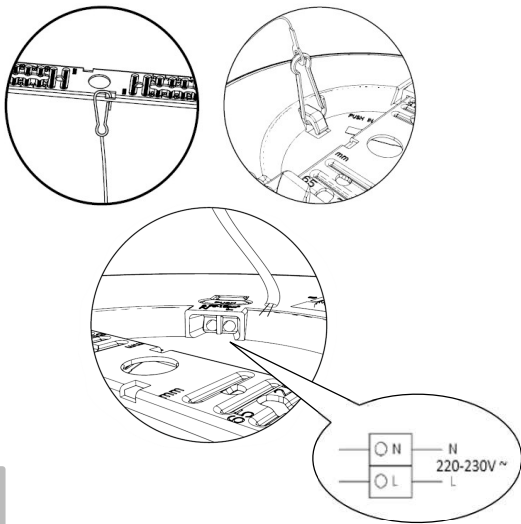
WARNING

- 1) Switch off the power supply before installation
- 2) Installation should be done by registered electricians

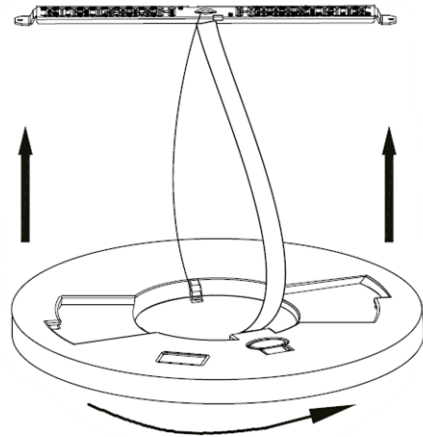
1



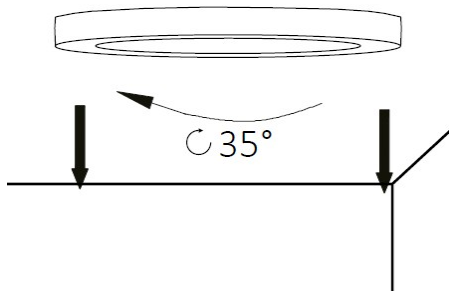
2



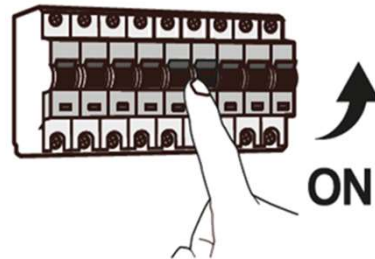
3



4



5



6