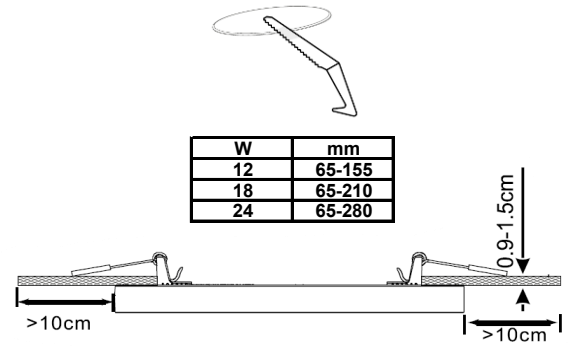


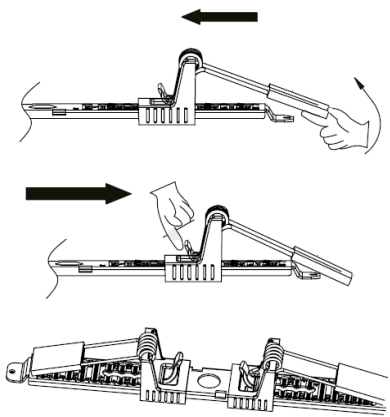
**WARNING**

- 1) Switch off the power supply before installation
- 2) Installation should be done by registered electricians

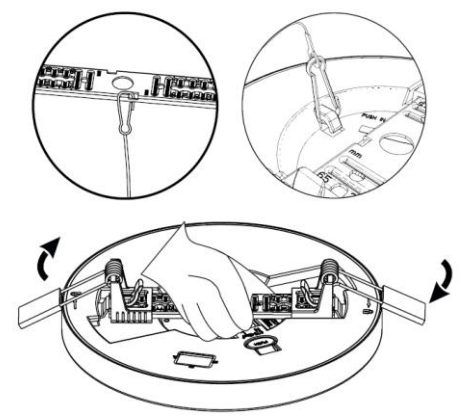
**1**



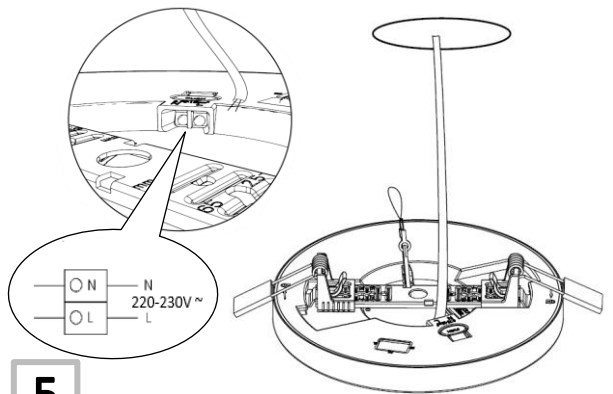
**2**



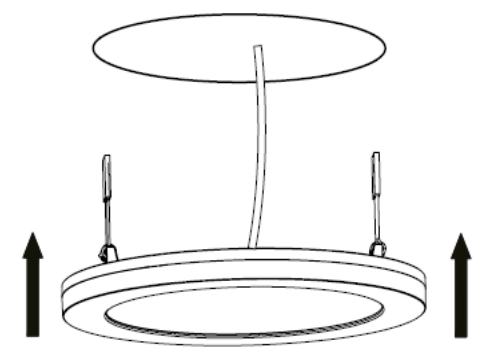
**3**



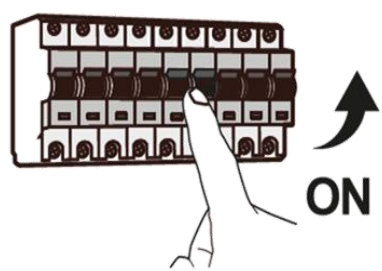
**4**



**5**



**6**



**7**

2427500121996

**ENERGY**  
e2 elektro  
2427500121996-L

A B C D E F G

**E**

**12**  
kWh/1000h

2019/2015

2427500181996

**ENERGY**  
e2 elektro  
2427500181996-L

A B C D E F G

**E**

**18**  
kWh/1000h

2019/2015

2427500241996

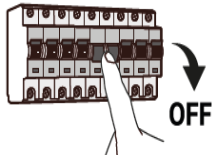
**ENERGY**  
e2 elektro  
2427500241996-L

A B C D E F G

**E**

**24**  
kWh/1000h

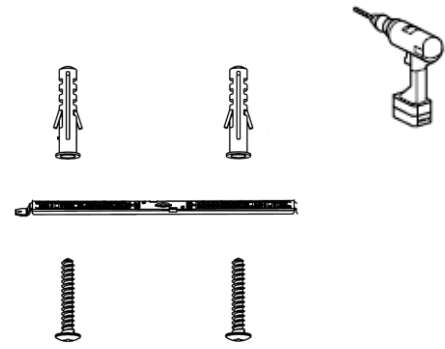
2019/2015



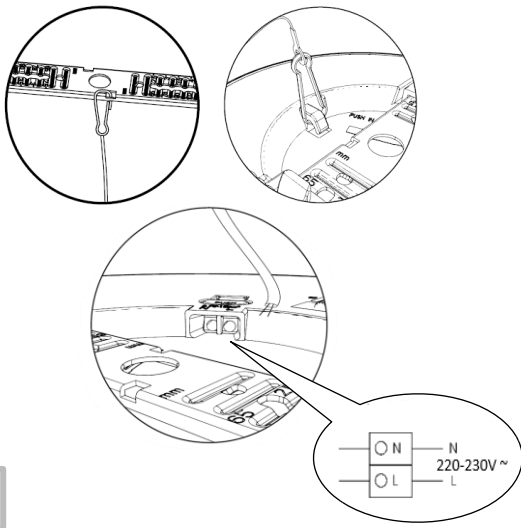
**⚠ WARNING**

- 1) Switch off the power supply before installation
- 2) Installation should be done by registered electricians

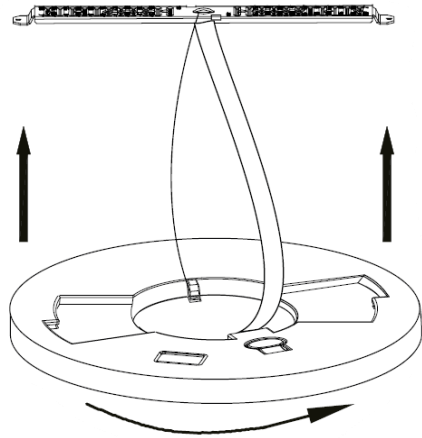
**1**



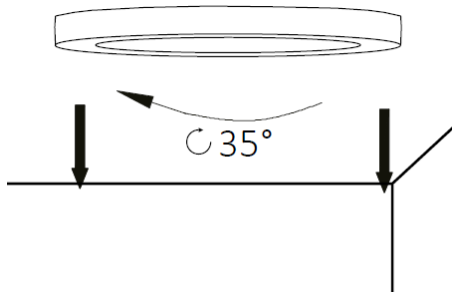
**2**



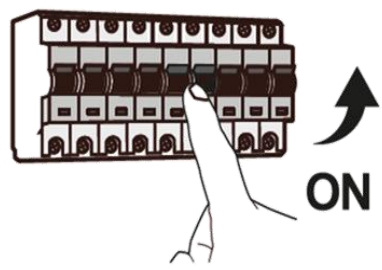
**3**



**4**



**5**



**6**