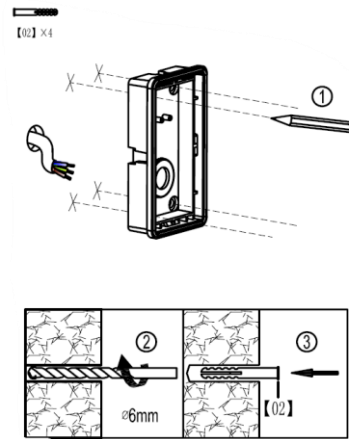
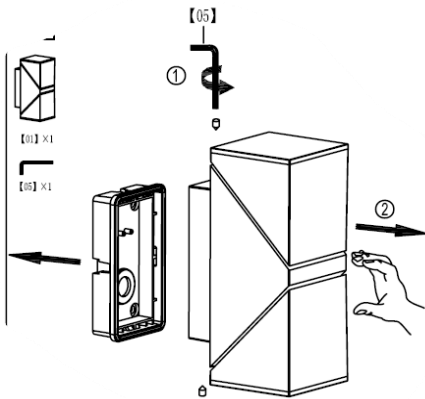


WARNING

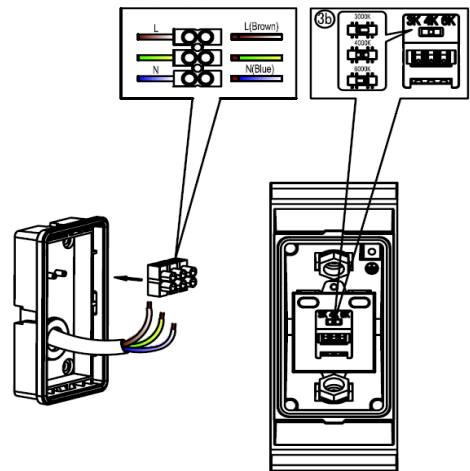
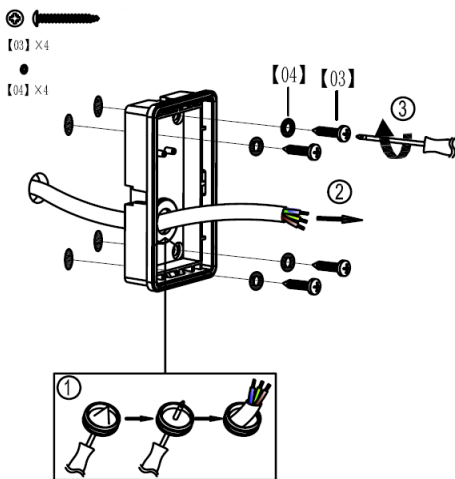
- 1) Switch off the power supply before installation
- 2) Installation should be done by registered electricians

1



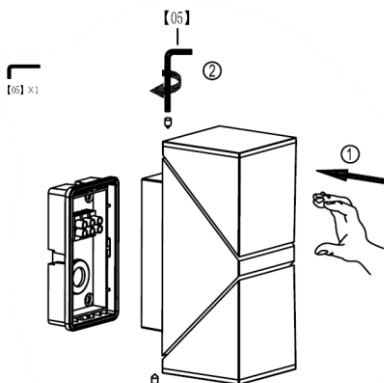
2

3



4

5



6

7

ENERGY
 e2 elektro
 2528010091696-L

A
B
C
D
E
F
G

12
 kWh/1000h

2019/2015